

- 1 Tonarm-tubes, made of aluminium
- 2 Cardanic bearing, TTF-technology
- 3 Counter-weight
- 4 Base-ring, EMT / Ortofon standard
- 5 VTA-adjustment
- 6 Azimuth-adjustment
- 7 Tonearm-lift
- 8 Headshell with locking mechanism
- 9 Head bearings



Micromechanical parts of the head-bearing

The THALES SIMPLICITY II sets the benchmark for what is possible in tonearm-design today. The tracking geometry is based on a unique tetragon solution that reduces the tracking-error to 0,006°. Our new TTF-bearing-technology makes sure the performance achieves a level never reached before, as the micro-ball-bearings are arranged in a tension-free setup. The intrinsic frequencies of the two tonearm tubes are carefully tuned to improve on the damping properties of any single arm tube design.

The SIMPLICITY II comes with a special tool to make sure the installation is as precise as the manufacturing. The headshell can be removed very easily for exact alignment of the cartridge. Three different counter weights, each with a different mass are supplied to enable a wide range of cartridges to be used (7 to 23 grams). The tonearm is available in bronze, grey or black anodized finish and is featured with Thales's own internal wiring. This wiring is very flexible and made of purest copper. Three different wiring terminations are available.

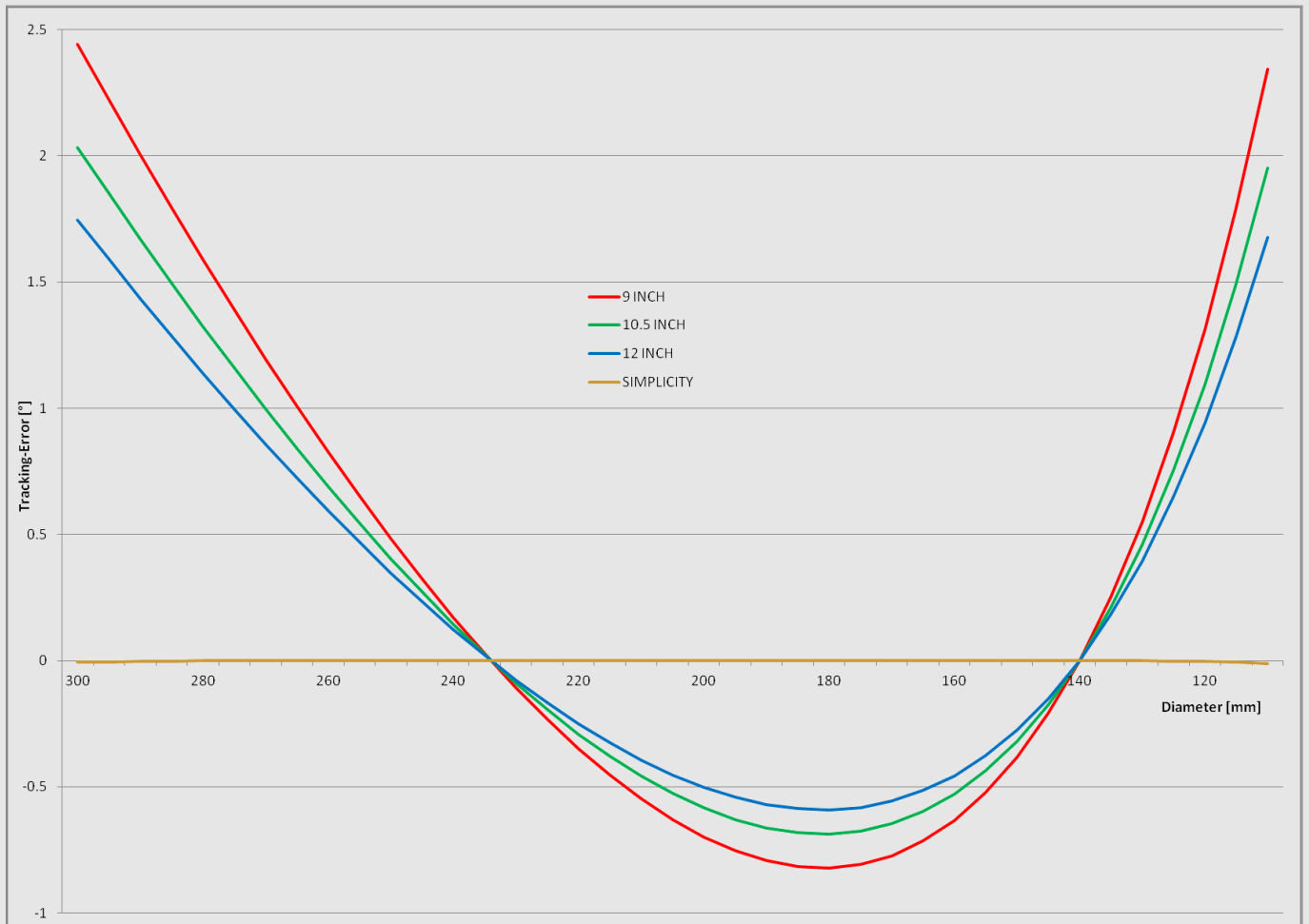
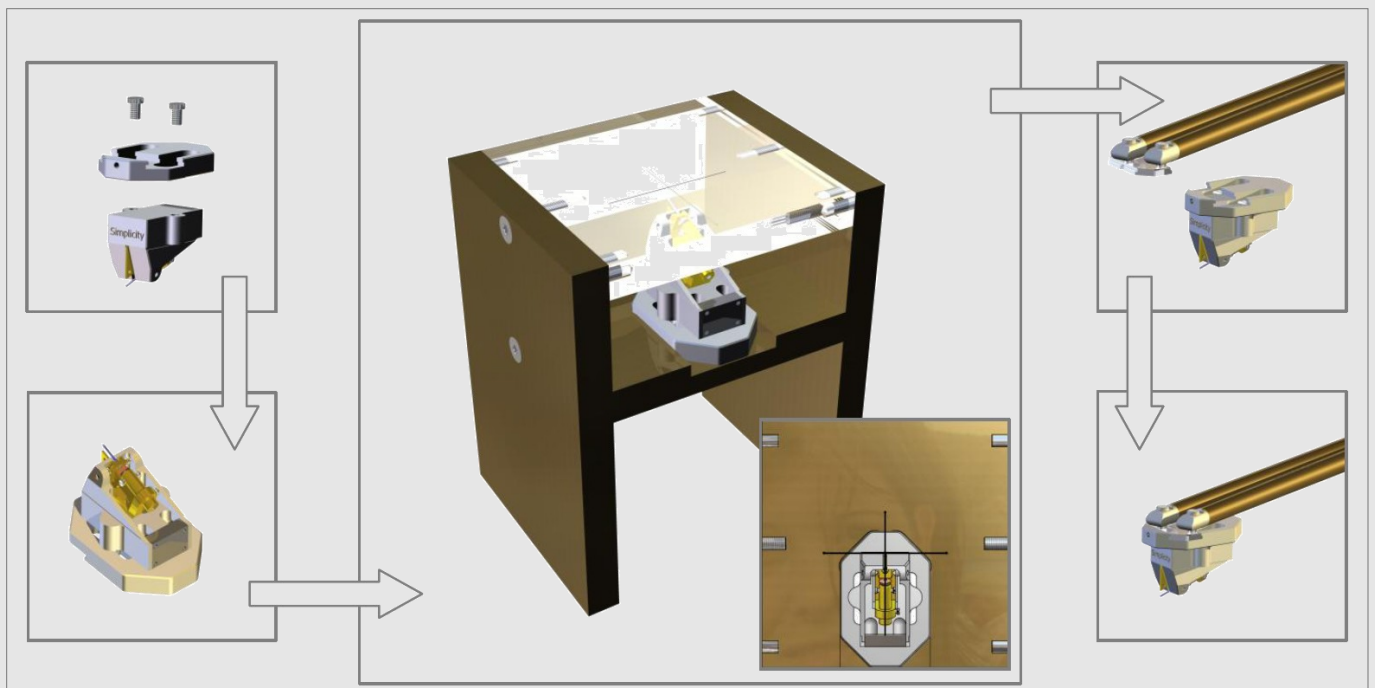
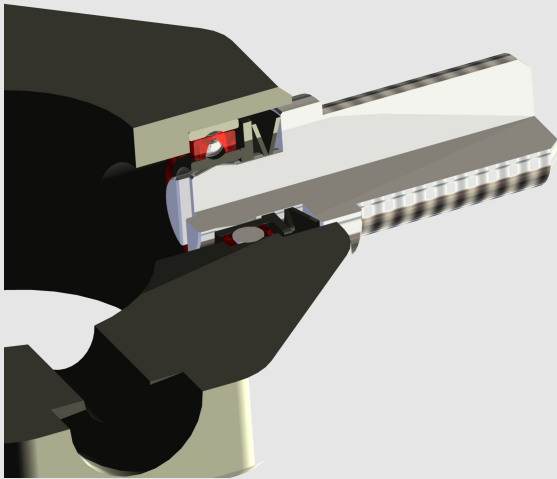


Diagram comparing the tracking error of 9", 10.5", 12" and Thales Simplicity II tonearm



Sight unit to adjust the cartridge correctly and precise



TTF-Technology

Based on our long lasting experience in building micro-bearings for high-end tonearms, we started in 2012 to develop the TTF (Thales-Tension-Free) technology. This technology should combine the advantages of traditional jewel bearings (damping properties, one point contact and angular alignment) with the benefit of the ball bearing (load resistant, solid). Much research was made before this new technology could be implemented in our tonearms. TTF technology gives incredibly low friction values, absolute freedom of backlash and as a nice side effect, an integrated shock absorbing system.

Thales Simplicity II

Technische Daten

- optimized geometry, max. 0.006° tracking error
- Bearing with five axis and ten micro ball bearings
- Fine-adjustment mechanism for VTA and Azimuth
- chrome plated brass-parts
- anodized aluminium-parts (bronze, black or grey)
- exchangable headshell, anodized finish
- effective length: 9 inches
- effective tonearm-mass: 18g
- integrated 5-pin-DIN-connector
- option: direct wiring / terminal RCA/XLR